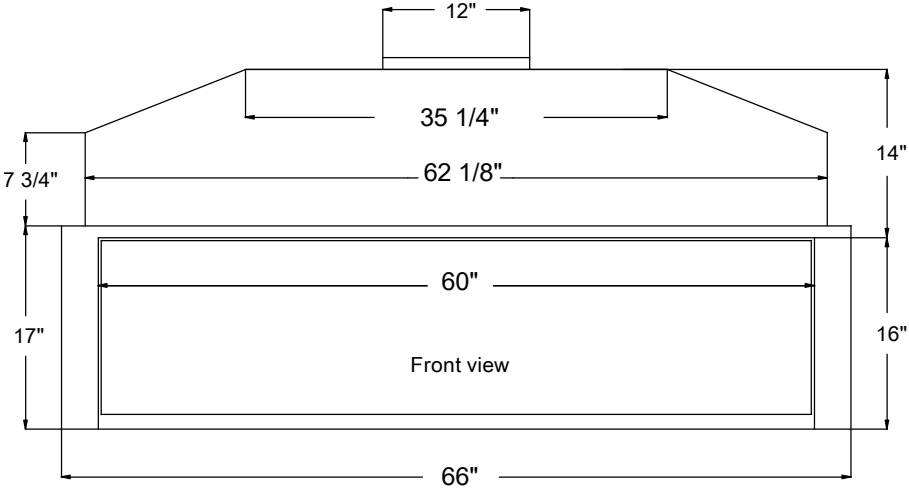
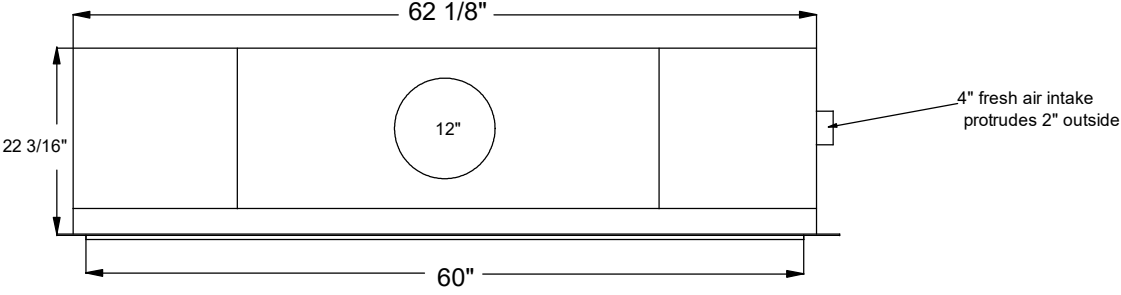


Model 600



Minimal required lip
 $\frac{5}{8}$ " from back of flange
to face of fireplace



4" fresh air intake
protrudes 2" outside

