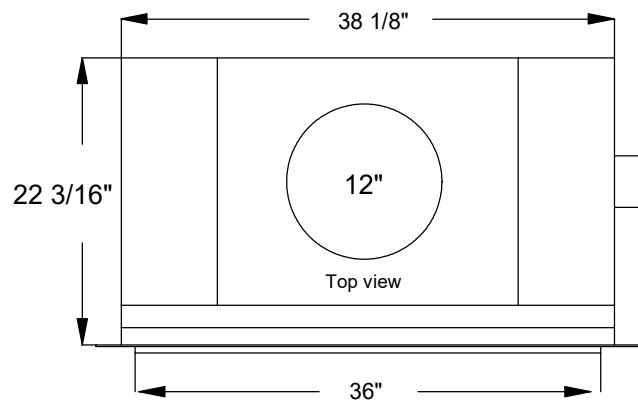
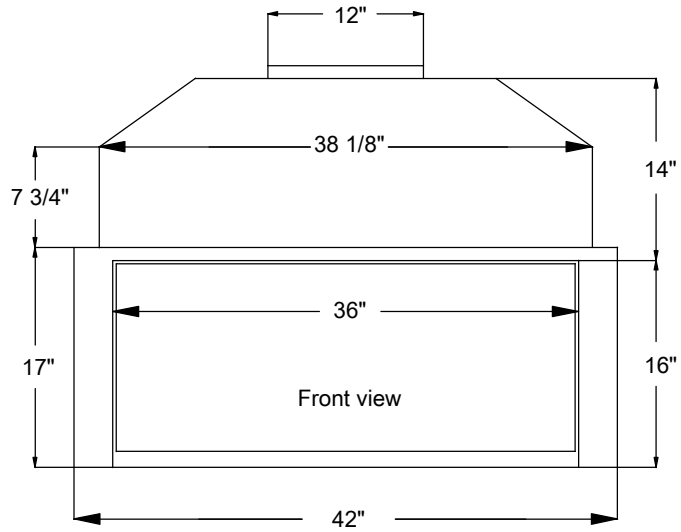


Model 360



4" fresh air intake protrudes 2" outside

Minimal required lip 5/8" from back of flange to face of fireplace

